



**APPROVAL SHEET  
FOR  
SPEAKER**

*GUANGZHOU YUENENG TECHNOLOGY CO., LTD.*

**CUSTOMER:**

**MODEL NO.:** YN5318-08015WD300

**OUR PART NO.:**

**CUSTOMER PART NO.:**

CUSTOMER	APPROVED	CHECKED

**Add: ,132 Shishu Road, Yuexiu District, Guangzhou City, Guangdong China.**

**Mobile:+86-18924165988**

**WhatsApp: +86-18924165988**

**skype:18924165988**

**Email: cngzyn@163.com**

<b>SPECIFICATION</b>		<b>MODEL NO.</b>	YN5318-08015WD300	<b>Total Page</b>  5
<b>ISSUED DATE</b>	2021/05/11	<b>SPEC. NO.</b>	2022/7/9	

## 1. SCOPE

THIS SPECIFICATION IS APPLIED TO THE DYNAMIC RECEIVER/SPEAKER WHICH IS USED IN CELLULAR PORTABLE PRODUCT.

## 2. GENERAL SPECIFICATIONS

<b>ANALYSIS ITEMS</b>	<b>SPECIFICATIONS</b>
<b>1. TYPE</b>	Dynamic speaker
<b>2. OUT SIDE SIZE</b>	53mm*18mm*14.4mm , Shown Fig.3
<b>3. IMPEDANCE</b>	4 Ω ± 15% at 1 KHz 0.89Vms Sine Wave
<b>4. RESONANCE FREQUENCY</b>	410 ± 20% Hz at 0.89V Sine wave
<b>5. SENSITIVITY (S.P.L.)</b>	92dB ± 3dB at 0.5w/ 0.1m / 10.12.15.20 × 100Hz average
<b>6. RATED / MAX. POWER</b>	1.5W / 2W
<b>7. FREQUENCY RANGE</b>	fo ~ 20kHz
<b>8. DISTORTION</b>	Less than 5% at 1000Hz 1W 0.5M
<b>9. UNIT WEIGHT</b>	9.g ± 0.1g
<b>10. MEASURING DIAGRAM</b>	Shown in Fig.1
<b>11. FREQUENCY RESPONSE</b>	Shown in Fig.2
<b>12. OPERATING TEMPERATURE</b>	- 30°C ~ +70°C
<b>13. STORAGE TEMPERATURE</b>	- 40°C ~ +85°C
<b>14. OPERATION TEST</b>	No one should perceive noise of sine wave 2.0V of 0.2kHz ~ 10kHz .

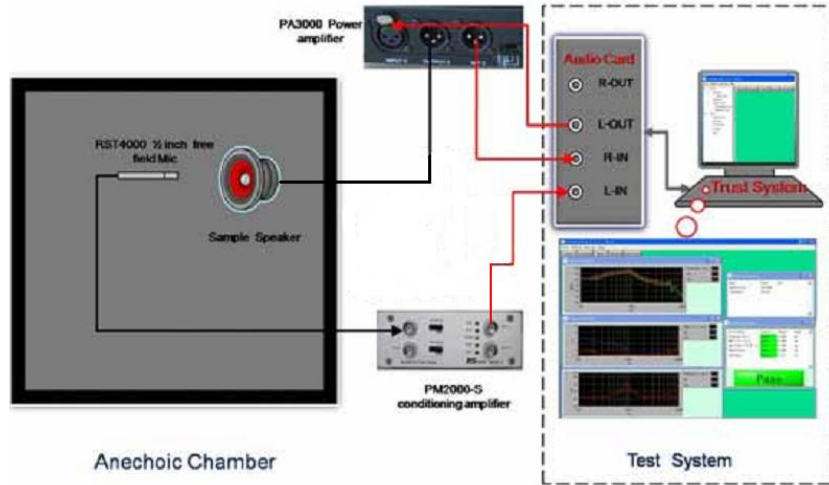
<b>NO.</b>	<b>DATE</b>	<b>DUE TO</b>	<b>REVISION</b>	<b>SIGNATURE</b>

### **3. ENVIRONMENTAL CHARACTERISTICS**

<b>RESULTS OF AFTER TEST</b>	Sensitivity difference shall be within (3dB) and should satisfy the test described under item 14 after each following test.
<b>1. APPEARANCE</b>	Should not exist any obstacle to be harmful to normal operation : damages \ cracks \ rusts and distortions etc.
<b>3. POLARITY</b>	When positive voltage is applied to the terminal marked (+), diaphragm should move to the front.
<b>4. LOAD TEST</b>	2W white noise is applied for 96 hours and satisfy the test listed on item 05,08,14.
<b>5. HIGH TEMPERATURE DURABILITY</b>	After having been in a test chamber for 48hours at the condition of $+80^{\circ}\text{C} \pm 5^{\circ}\text{C}$ and then let 2 hours in a room .
<b>6. COLD TEMPERATURE DURABILITY</b>	After having been in a test chamber for 48 hours at the condition of $-40^{\circ}\text{C} \pm 5^{\circ}\text{C}$ and then let 2 hours in a room .
<b>7. HUMIDITY DURABILITY</b>	After having been in a test chamber for 48hours at the condition of $+40^{\circ}\text{C} \pm 5^{\circ}\text{C}$ 90%~96% RH and then let 2 hours in a room .
<b>8.TEMPERATURE CYCLE DURABILITY</b>	Low temperature $-40^{\circ}\text{C} \pm 2^{\circ}\text{C}$ (2 hour )/ high temperature $+85 \pm 2^{\circ}\text{C}$ (2 hour ) : 1 cycle , total 10 cycles and then let 2 hours in a room .
<b>9.VIBRATION DURABILITY</b>	Frequency Range:10Hz ~ 500Hz Amplitude : 0.35mm or acceleration : $50\text{m/s}^2$ Duration : 2h per axis=10 cycles ; 3 axis
<b>10.DROP TEST</b>	The speaker unit shall stand 10 random drops from a height of 1 meter to a concrete floor faced with 5m/m thick hard wood board and be nothing mechanical damage.
<b>11.PACKING STRENGTH</b>	As per packing condition, from height of 1 meter, the unit is to be dropped 1 time each in three planes on concrete floor.

<b>NO.</b>	<b>DATE</b>	<b>DUE TO</b>	<b>REVISION</b>	<b>SIGNATURE</b>

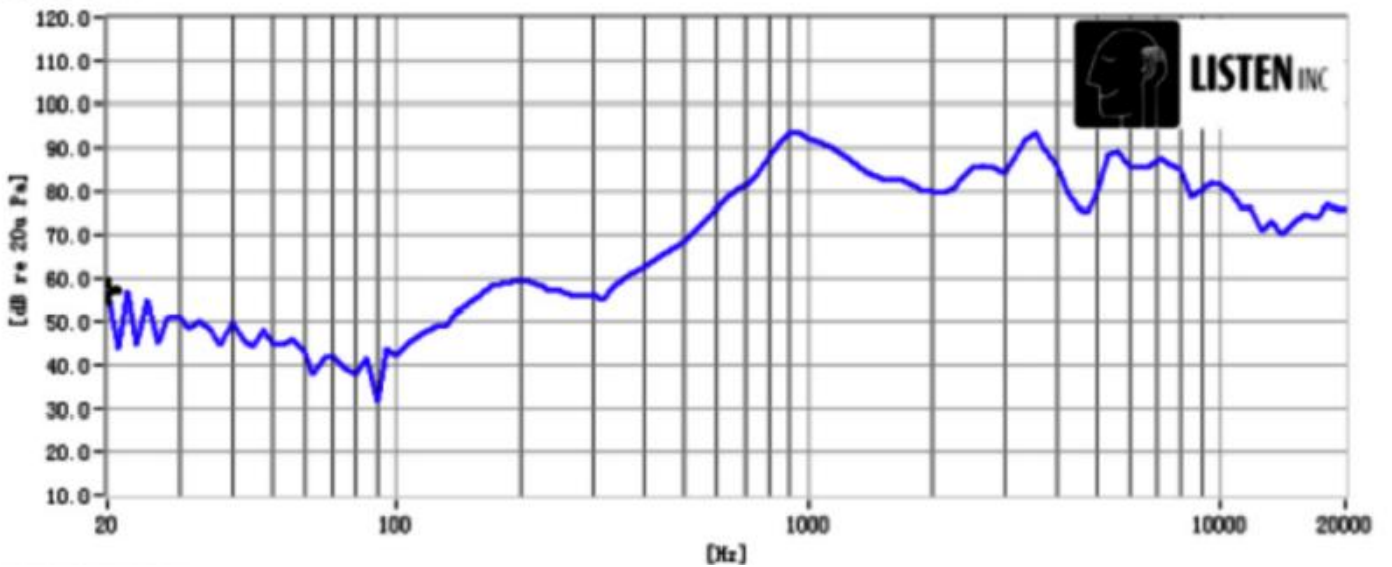
#### 4. STANDARD TEST CONDITION OF SPEAKER (Fig.1)



#### AKER MODE) (Fig.2)

注：单位MM

频响曲线

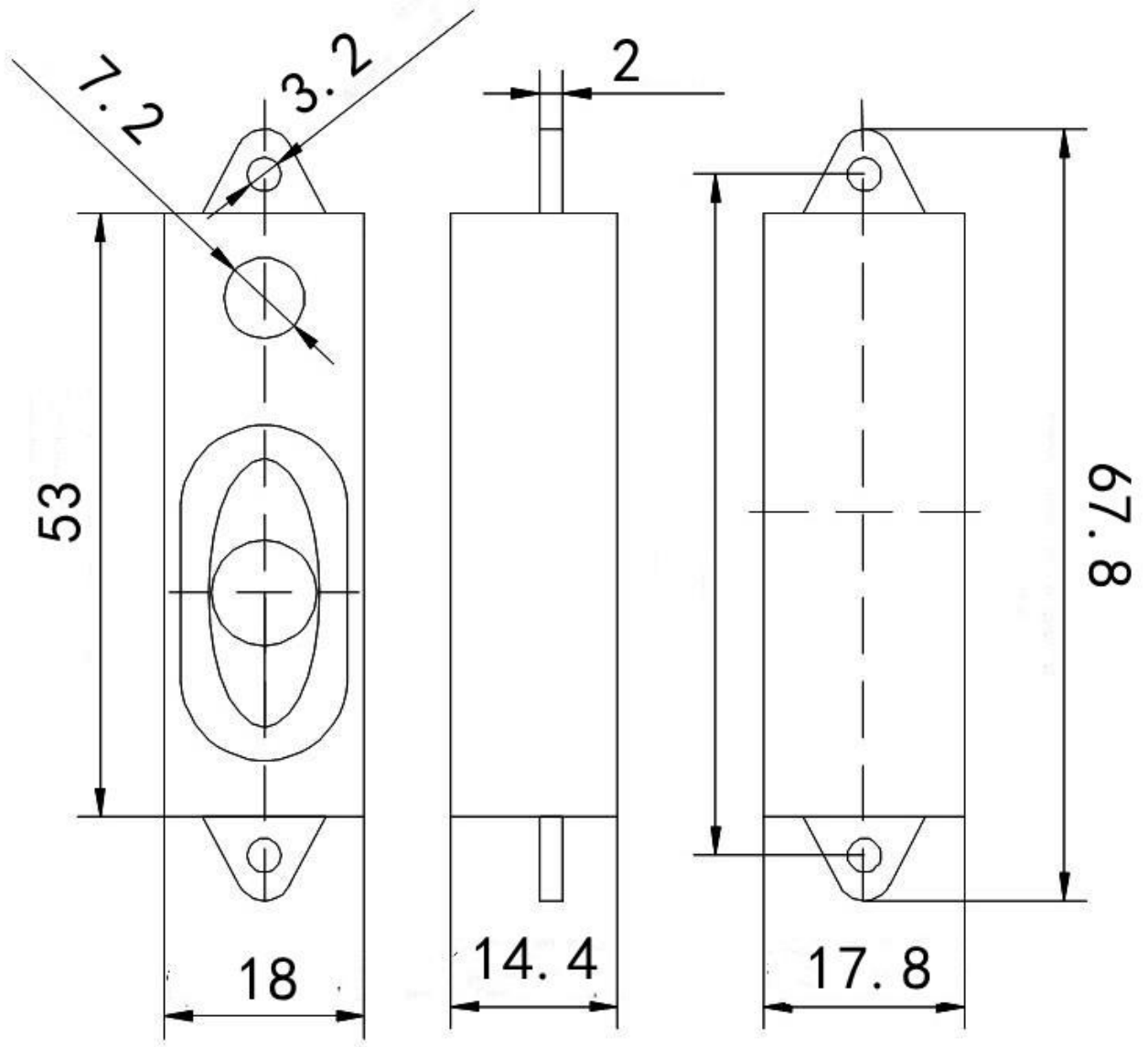


NO.	DATE	DUE TO	REVISION	SIGNATURE

4. ASSEMBLY DIMENSIONS (Fig.3)

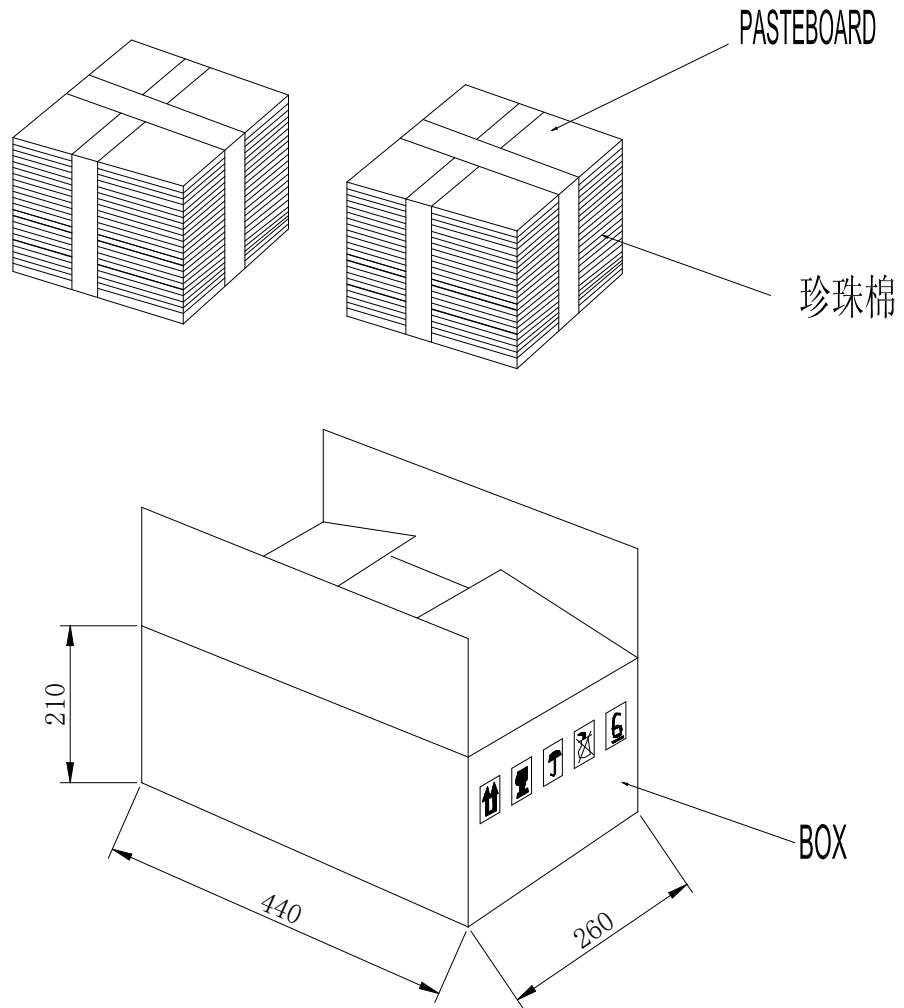
Unit: mm

Error: 0.2mm



NO.	DATE	DUE TO	REVISION	SIGNATURE

**4.PACKING (Fig.4)**



UNIT:MM

**NOTES:**

1. 100 PCS PER TRAY PE PAN.
2. 2000 PCS PER CARTONS.
3. 2 CARTONS PER BOX.
4. 2000 PCS PER BOX.

NO.	DATE	DUE TO	REVISION	SIGNATURE