



Specifications  
for  
Speaker

*GUANGZHOU YUENENG TECHNOLOGY CO., LTD.*

CUSTOMER:

MODEL NO. : YN40DT-16005

OUR PART NO. . :

CUSTOMER PART NO. :

CUSTOMER	APPROVED	CHECKED

Add: ,132 Shishu Road, Yuexiu District, Guangzhou City, Guangdong China.

Mobile:+86-18924165988

WhatsApp: +86-18924165988

skype:18924165988

Email: [cngzyn@163.com](mailto:cngzyn@163.com)

<b>SPECIFICATION</b>		<b>MODEL NO.</b>	YN40DT-16005	<b>Total Page</b> 5
<b>ISSUED DATE</b>	2011/07/18	<b>SPEC. NO.</b>	2022/7/11	

## **1. SCOPE**

THIS SPECIFICATION IS APPLIED TO THE DYNAMIC RECEIVER/SPEAKER WHICH IS USED IN CELLULAR PORTABLE PRODUCT.

## **2. GENERAL SPECIFICATIONS**

<b>ANALYSIS ITEMS</b>	<b>SPECIFICATIONS</b>
<b>1. TYPE</b>	Dynamic speaker
<b>2. OUT SIDE SIZE</b>	40mm , Shown Fig.3
<b>3. IMPEDANCE</b>	$8 \Omega \pm 20\%$ at 1KHz, 1V
<b>4. RESONANCE FREQUENCY</b>	$500 \pm 20\%$ Hz at 1.0V Sine wave
<b>5. SENSITIVITY (S.P.L.)</b>	93dB $\pm 3$ dB(1W/1M)
<b>6. RATED / MAX. POWER</b>	0.5W /0.8W
<b>7. FREQUENCY RANGE</b>	0~ 20kHz
<b>8. DISTORTION</b>	Less Than 10% @1KHz, 10cm, 0.1W
<b>9. UNIT WEIGHT</b>	$11 \pm 0.2$ g
<b>10. MEASURING DIAGRAM</b>	Shown in Fig.1
<b>11. FREQUENCY RESPONSE</b>	Shown in Fig.2
<b>12. OPERATING TEMPERATURE</b>	- 30°C ~ +65°C
<b>13. STORAGE TEMPERATURE</b>	- 40°C ~ +65°C
<b>14. OPERATION TEST</b>	Buzz,Rattle,etc Should not be audible at <b>2.8</b> VRMS sine wave from <b>F<sub>0</sub> ~ 7KHz</b> .

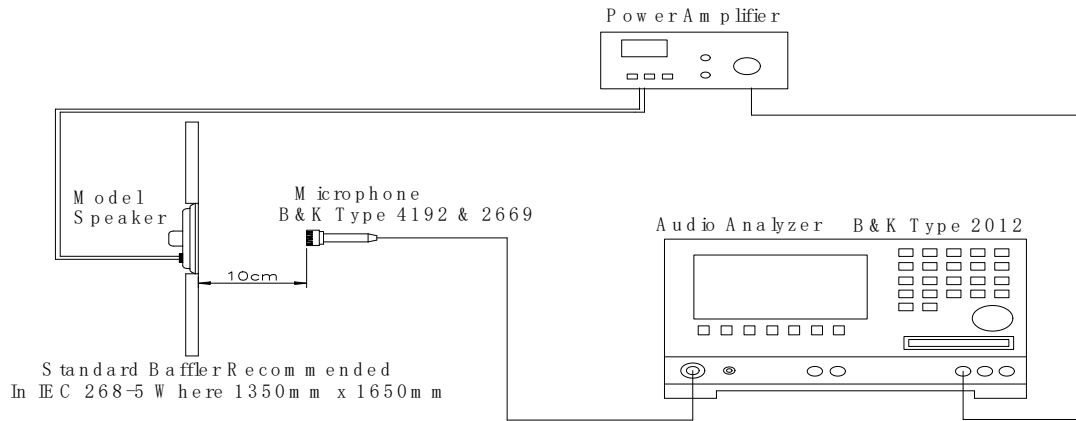
<b>NO.</b>	<b>DATE</b>	<b>DUE TO</b>	<b>REVISION</b>	<b>SIGNATURE</b>

### **3. ENVIRONMENTAL CHARACTERISTICS**

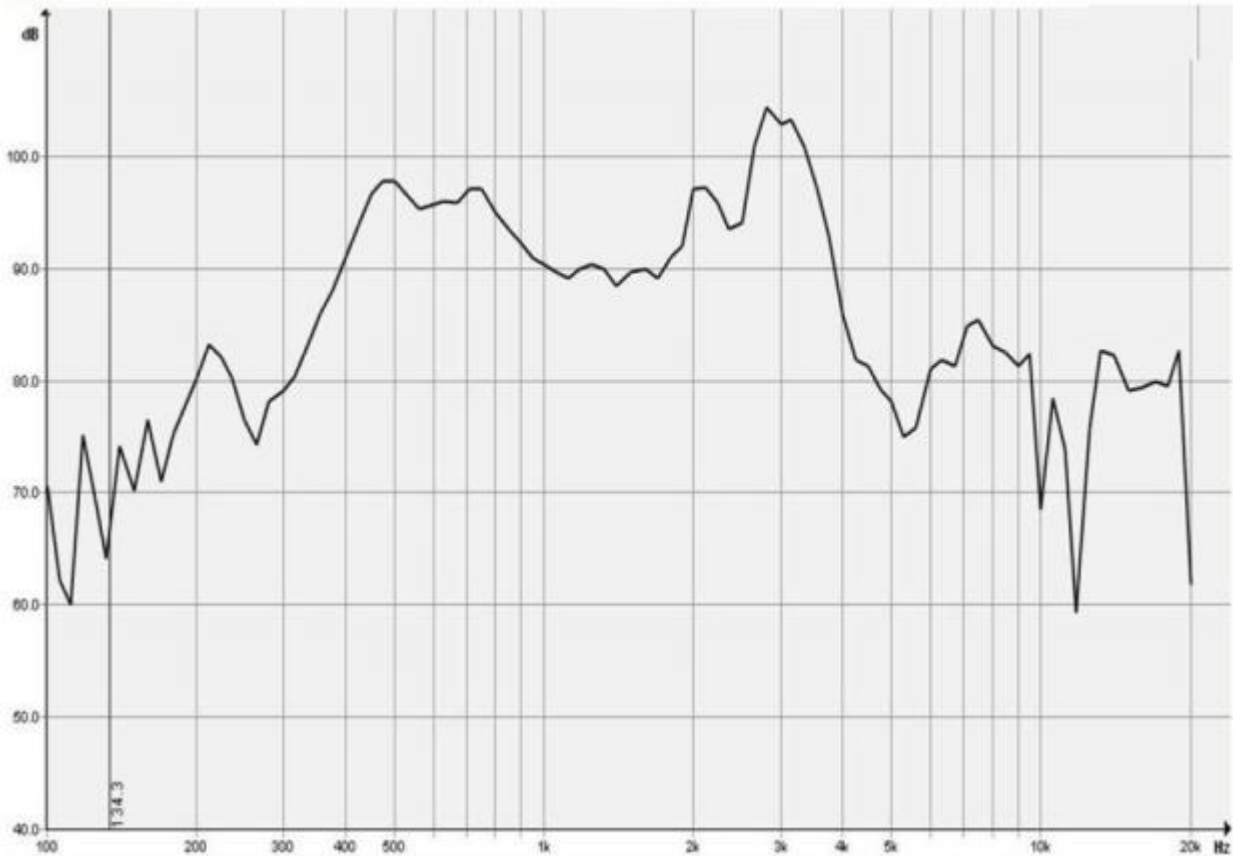
<b>RESULTS OF AFTER TEST</b>	Sensitivity difference shall be within (3dB) and should satisfy the test described under item 14 after each following test.
<b>1. APPEARANCE</b>	Should not exist any obstacle to be harmful to normal operation : damages \ cracks \ rusts and distortions etc.
<b>3. POLARITY</b>	When positive voltage is applied to the terminal marked (+), diaphragm should move to the front.
<b>4. LOAD TEST</b>	0.5 W white noise is applied for 96 hours and satisfy the test listed on item 05,08,14.
<b>5. HIGH TEMPERATURE DURABILITY</b>	After having been in a test chamber for 96 hours at the condition of $+80^{\circ}\text{C} \pm 5^{\circ}\text{C}$ and then let 2 hours in a room .
<b>6. COLD TEMPERATURE DURABILITY</b>	After having been in a test chamber for 96 hours at the condition of $-40^{\circ}\text{C} \pm 5^{\circ}\text{C}$ and then let 2 hours in a room .
<b>7. HUMIDITY DURABILITY</b>	After having been in a test chamber for 96 hours at the condition of $+40^{\circ}\text{C} \pm 5^{\circ}\text{C}$ 90%~96% RH and then let 2 hours in a room .
<b>8.TEMPERATURE CYCLE DURABILITY</b>	Low temperature $-40^{\circ}\text{C} \pm 2^{\circ}\text{C}$ (2 hour )/ high temperature $+85 \pm 2^{\circ}\text{C}$ (2 hour ) : 1 cycle , total 10 cycles and then let 2 hours in a room .
<b>9.VIBRATION DURABILITY</b>	Frequency Range:10Hz ~ 500Hz Amplitude : 0.35mm or acceleration : $50\text{m/s}^2$ Duration : 2h per axis=10 cycles ; 3 axis
<b>10.DROP TEST</b>	The speaker unit shall stand 10 random drops from a height of 1 meter to a concrete floor faced with 5m/m thick hard wood board and be nothing mechanical damage.
<b>11.PACKING STRENGTH</b>	As per packing condition, from height of 1 meter, the unit is to be dropped 1 time each in three planes on concrete floor.

NO.	DATE	DUE TO	REVISION	SIGNATURE

## 4.STANDARD TEST CONDITION OF SPEAKER (Fig.2)

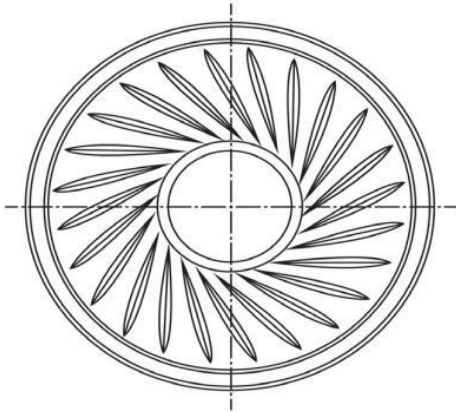


## FREQUENCY RESPONSE (SPEAKER MODE) (Fig.2)

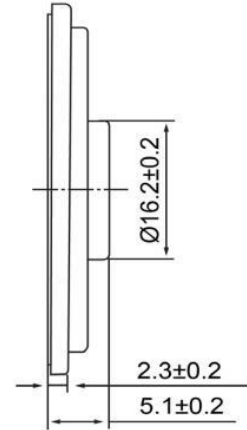


4. ASSEMBLY DIMENSIONS (Fig.3)

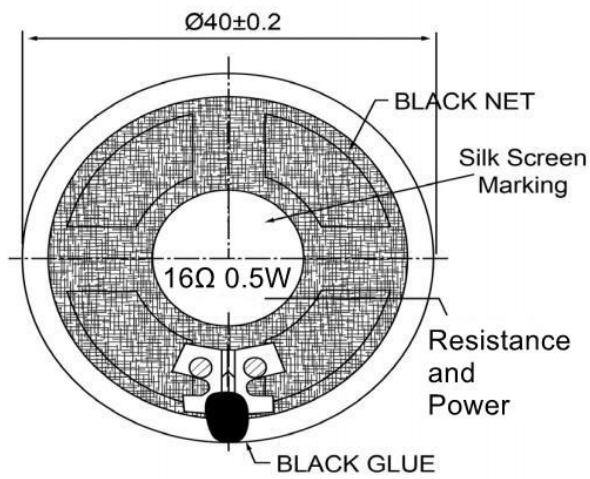
TOP VIEW



SIDE VIEW

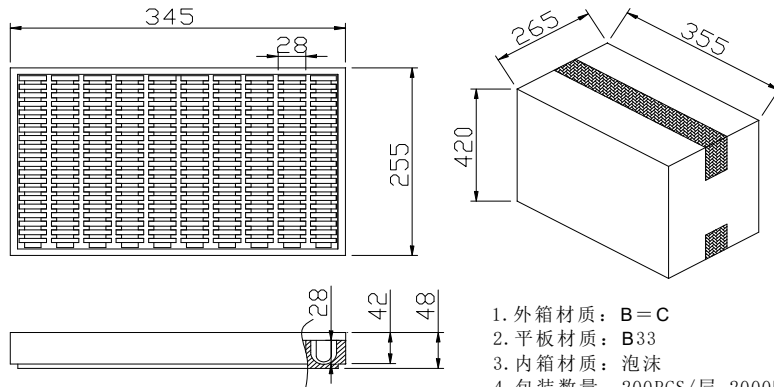


BOTTOM VIEW



NO.	DATE	DUE TO	REVISION	SIGNATURE

#### 4.PACKING (Fig.4)



1. 外箱材质: B=C
2. 平板材质: B33
3. 内箱材质: 泡沫
4. 包装数量: 200PCS/层 2000PCS/箱

NO.	DATE	DUE TO	REVISION	SIGNATURE