



Specifications  
for  
Speaker

*GUANGZHOU YUENENG TECHNOLOGY CO., LTD.*

CUSTOMER:

MODEL NO. : YN1609-08007

OUR PART NO. . :

CUSTOMER PART NO. :

CUSTOMER	APPROVED	CHECKED

Add: ,132 Shishu Road, Yuexiu District, Guangzhou City, Guangdong China.

Mobile:+86-18924165988

WhatsApp: +86-18924165988

skype:18924165988

Email: cngzyn@163.com

<b>SPECIFICATION</b>		<b>MODEL NO.</b>	YN1609-08007	<b>Total Page</b>  5
<b>ISSUED DATE</b>	2011/07/17	<b>LATEST. NO.</b>	2022/05/18	

## 1. SCOPE

THIS SPECIFICATION IS APPLIED TO THE DYNAMIC RECEIVER/SPEAKER WHICH IS USED IN CELLULAR PORTABLE PRODUCT.

## 2. GENERAL SPECIFICATIONS

<b>1. TYPE</b>	Dynamic speaker
<b>2. OUT SIDE SIZE</b>	16*9mm , Shown Fig.3
<b>3. IMPEDANCE</b>	8Ω ±20% at 1 KHz 2.0Vms Sine Wave
<b>4. RESONANCE FREQUENCY</b>	600±20% Hz at 1.0V Sine wave
<b>5. SENSITIVITY (S.P.L.)</b>	80dB ± 3dB at 0.5w/ 0.1m / 1.0,1.2,1.5,2.0 × 1000Hz average
<b>6. RATED / MAX. POWER</b>	0.7W / 1W
<b>7. FREQUENCY RANGE</b>	F100 ~ 20kHz
<b>8. DISTORTION</b>	Less than 10 % at 1000Hz 0.5 W
<b>9. UNIT WEIGHT</b>	1.3g±0.1g
<b>10. MEASURING DIAGRAM</b>	Shown in Fig.1
<b>11. FREQUENCY RESPONSE</b>	Shown in Fig.2
<b>12. OPERATING TEMPERATURE</b>	- 30°C ~ +65°C
<b>13. STORAGE TEMPERATURE</b>	- 40°C ~ +65°C
<b>14. OPERATION TEST</b>	No one should perceive noise of sine wave 2.0V of 0.3kHz ~ 5kHz .

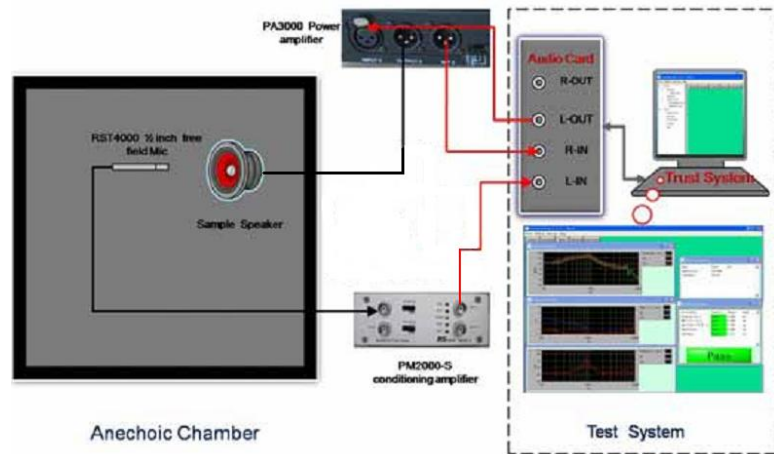
NO.	DATE	DUE TO	REVISION	SIGNATURE

### **3. ENVIRONMENTAL CHARACTERISTICS**

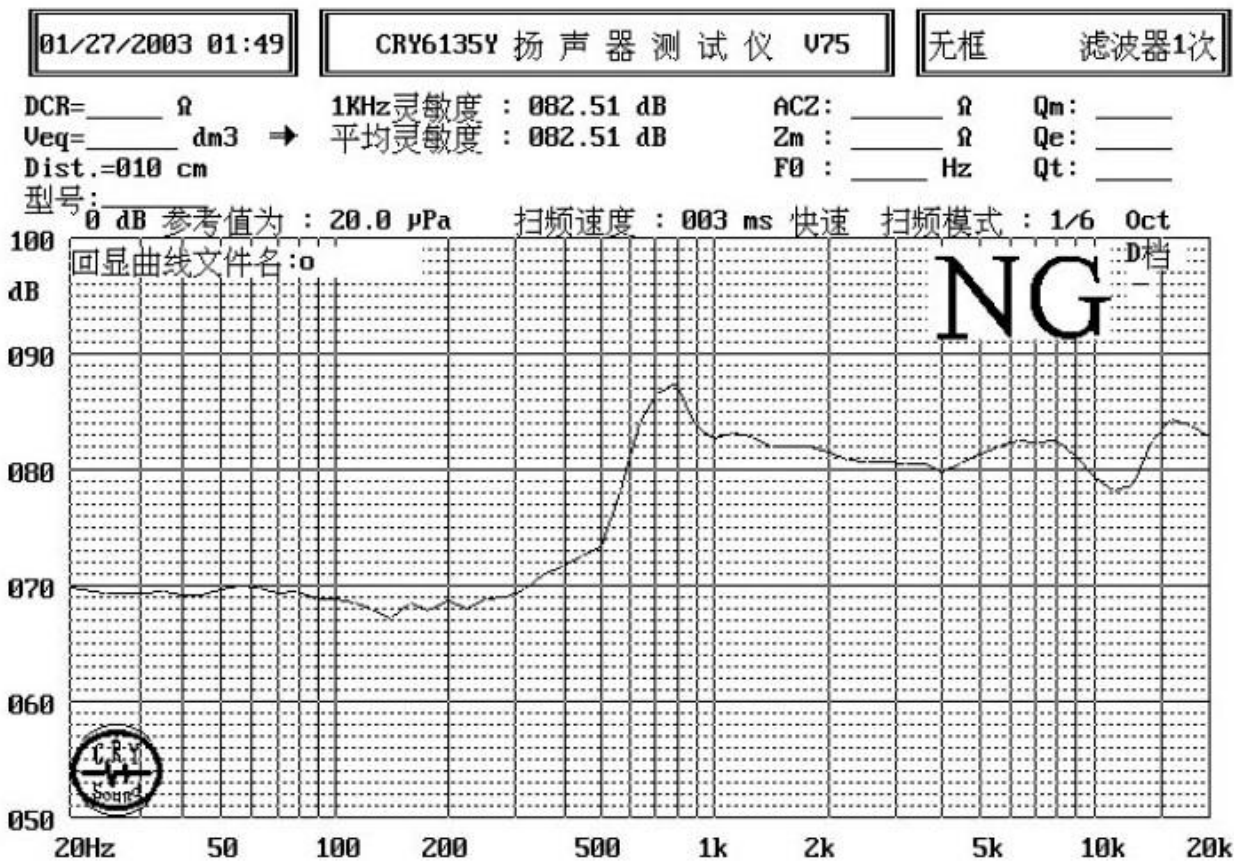
<b>RESULTS OF AFTER TEST</b>	Sensitivity difference shall be within (3dB) and should satisfy the test described under item 14 after each following test.
<b>1. APPEARANCE</b>	Should not exist any obstacle to be harmful to normal operation : damages \ cracks \ rusts and distortions etc.
<b>3. POLARITY</b>	When positive voltage is applied to the terminal marked (+), diaphragm should move to the front.
<b>4. LOAD TEST</b>	0.5 W white noise is applied for 96 hours and satisfy the test listed on item 05,08,14.
<b>5. HIGH TEMPERATURE DURABILITY</b>	After having been in a test chamber for 96 hours at the condition of $+65^{\circ}\text{C} \pm 5^{\circ}\text{C}$ and then let 2 hours in a room .
<b>6. COLD TEMPERATURE DURABILITY</b>	After having been in a test chamber for 96 hours at the condition of $-40^{\circ}\text{C} \pm 5^{\circ}\text{C}$ and then let 2 hours in a room .
<b>7. HUMIDITY DURABILITY</b>	After having been in a test chamber for 96 hours at the condition of $+40^{\circ}\text{C} \pm 5^{\circ}\text{C}$ 90%~96% RH and then let 2 hours in a room .
<b>8. TEMPERATURE CYCLE DURABILITY</b>	Low temperature $-40^{\circ}\text{C} \pm 2^{\circ}\text{C}$ (2 hour) / high temperature $+65 \pm 2^{\circ}\text{C}$ (2 hour) : 1 cycle , total 10 cycles and then let 2 hours in a room .
<b>9. VIBRATION DURABILITY</b>	Frequency Range: 10Hz ~ 500Hz Amplitude : 0.35mm or acceleration : 50m/s <sup>2</sup> Duration : 2h per axis=10 cycles ; 3 axis
<b>10. DROP TEST</b>	The speaker unit shall stand 10 random drops from a height of 1 meter to a concrete floor faced with 5m/m thick hard wood board and be nothing mechanical damage.
<b>11. PACKING STRENGTH</b>	As per packing condition, from height of 1 meter, the unit is to be dropped 1 time each in three planes on concrete floor.

NO.	DATE	DUE TO	REVISION	SIGNATURE

#### 4. STANDARD TEST CONDITION OF SPEAKER (Fig.1)

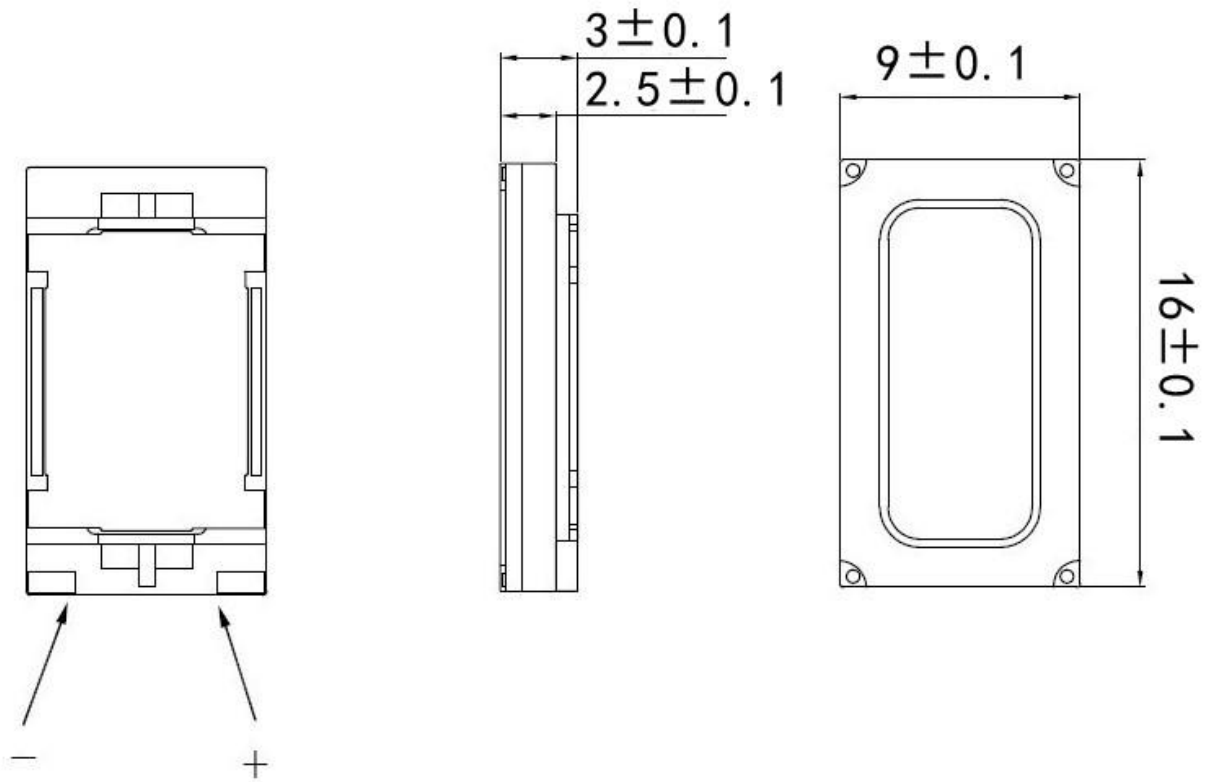


#### EAKER MODE) (Fig.2)



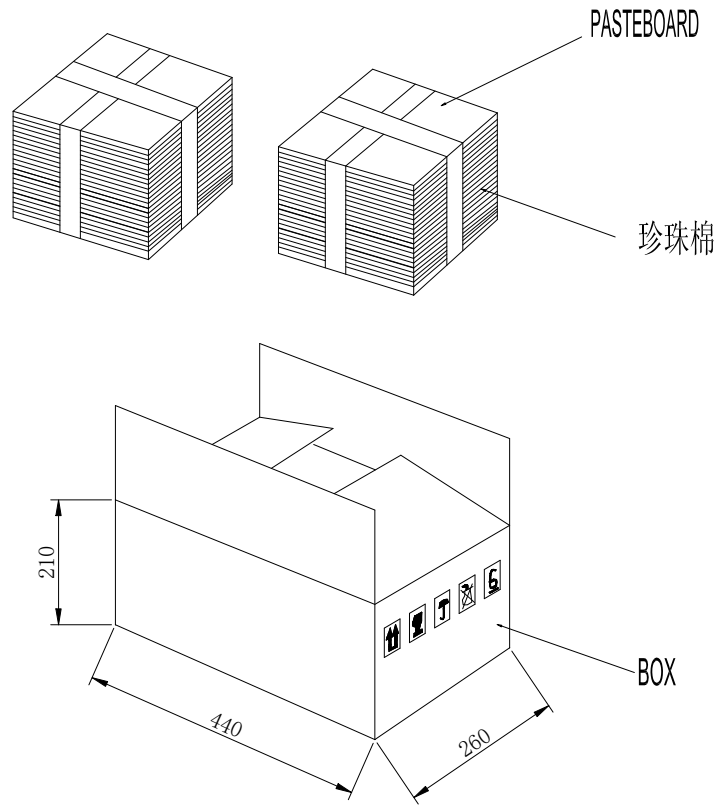
NO.	DATE	DUE TO	REVISION	SIGNATURE

**4.ASSEMBLY DIMENSIONS (Fig.3)**



NO.	DATE	DUE TO	REVISION	SIGNATURE

**4.PACKING (Fig.4)**



IIT:MM

NOTES:

1. 100 PCS PER TRAY PE PAN.
2. 2000 PCS PER CARTONS.
3. 2 CARTONS PER BOX.
4. 2000 PCS PER BOX.

NO.	DATE	DUE TO	REVISION	SIGNATURE