



YNKJ

**BUZZER SPECIFICATION**

CUSTOMER:

MODEL NO.: YN-YDY4739-2812W100

OUR PART NO.:

CUSTOMER PART NO.:

CUSTOMER	APPROVED	CHECKED

## 1. Technical Parameter

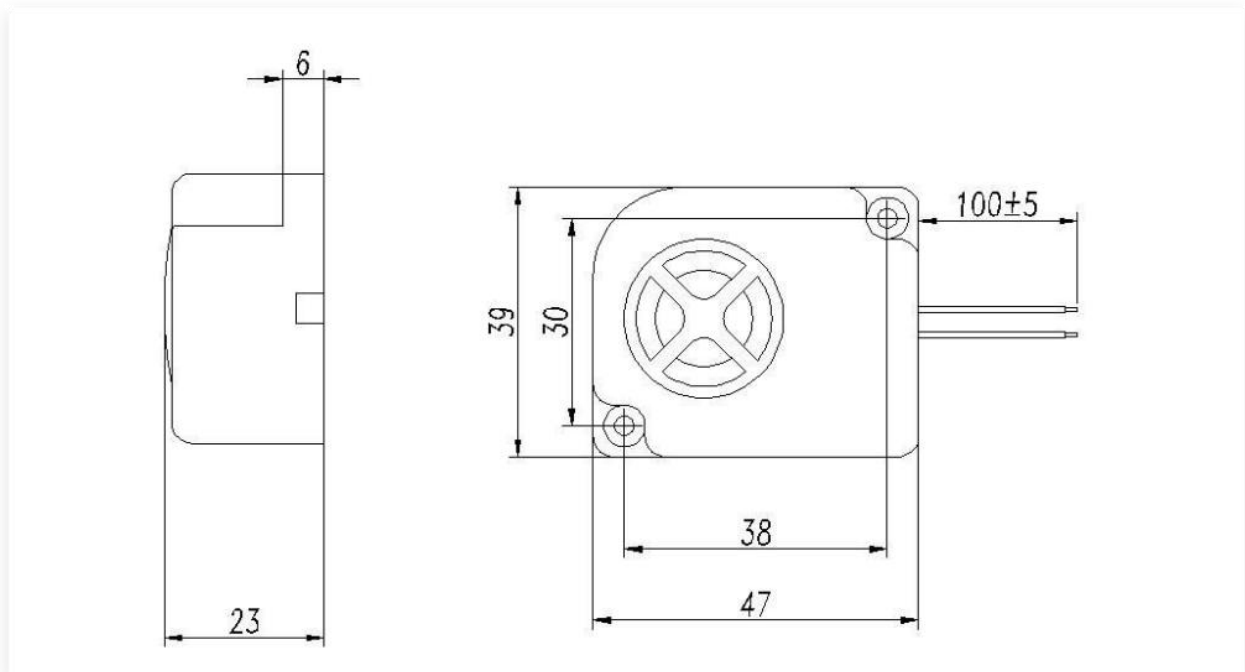
### Measuring condition

Part shall be measured under a condition (Temperature: 5 ~ 35°C, Humidity: 45% ~ 85%R.H., Atmospheric pressure: 860 ~ 1060hPa) unless the standard condition (Temperature: 25±3°C, Humidity: 60±10%R.H. Atmospheric pressure: 860 ~ 1060hPa) is regulated to measure.

1	Rated Voltage	12Vo-p
2	Operating Voltage	6-15Vo-p
3	Rated Current	Max.100mA
4	Sound Output at 10cm	Min. 115dB
5	Resonant Frequency	2800±500Hz (IN)
6	Operating Temperature	-10°C~+60°C
7	Store Temperature	-20°C~+70°C
8	Net Weight	Approx 53g
9	Tone Nature	Constant
10	Dimension	Φ47.3x39.3xH23.5 mm
11	R o H S	Yes

## 2. Dimensions

Unit: mm



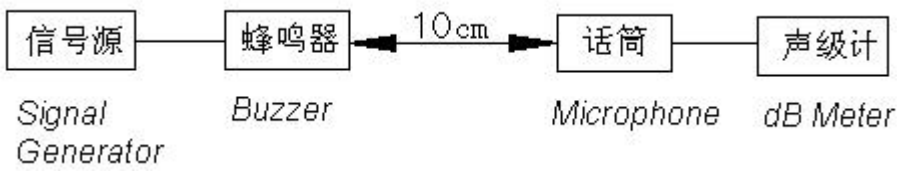
\*Unit: mm; Tolerance: ±0.3mm Except Specified

\*Housing Material: Black ABS

\*Terminal plate: 3 soldering pads, tin Plating Brass

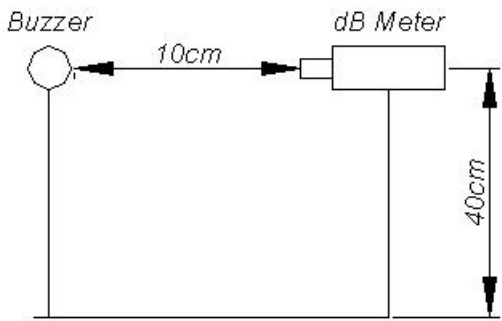
1. 产品测试仪连接:

Connection Diagram Of Testing Apparatus:



2. 产品测试方法:

Testing Method:

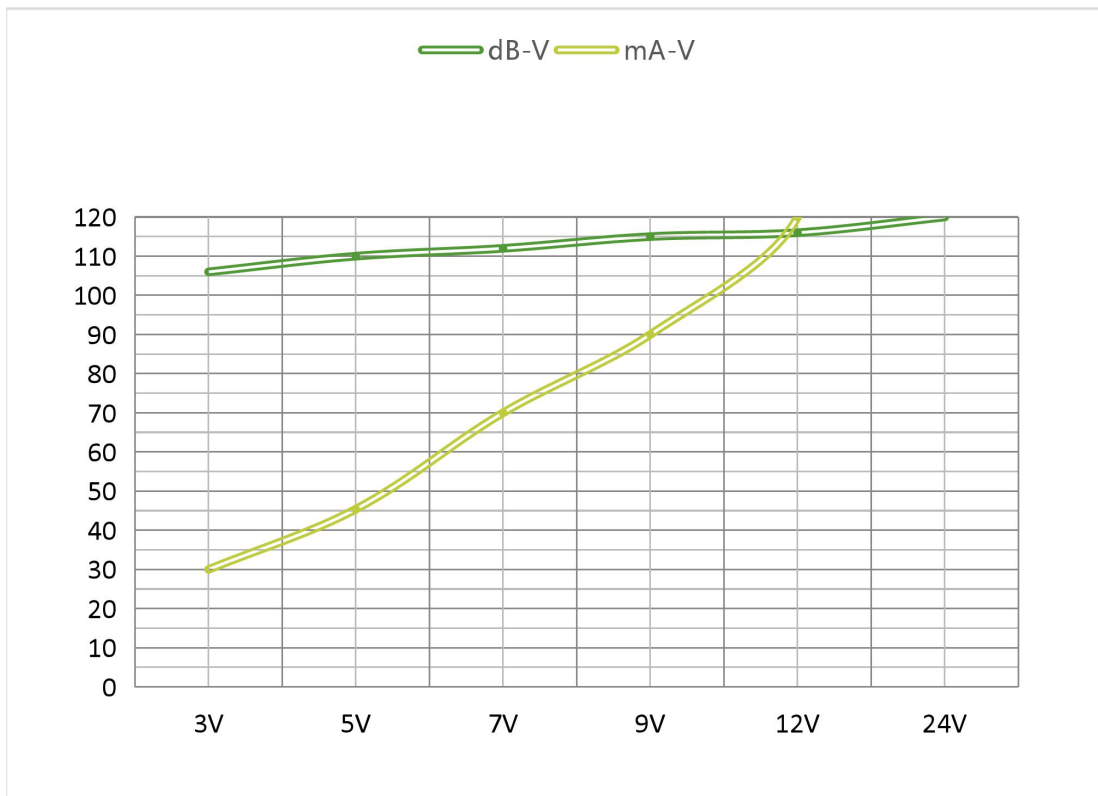


3. 驱动电路:

Circuit Diagram:



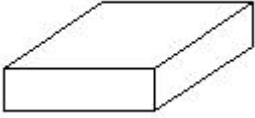
4. Frequency Response



## 产品包装图 *Packing*

### 1. 发泡塑料盒

*Foam Box*

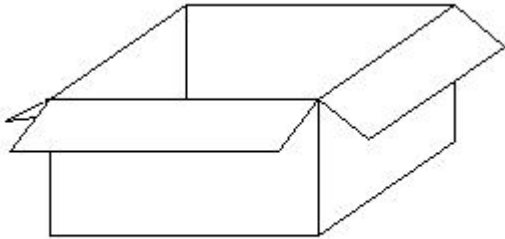


数量：50 只/盒

*Quantity:50pcs/box*

### 2. 纸箱包装

*Carton*



数量：5000 只/箱

*Quantity:5000pcs/carton*