



YNKJ

BUZZER SPECIFICATION

**GUANGZHOU YUENENG TECHNOLOGY CO., LTD.**

CUSTOMER:

MODEL NO. : YN-YDY4333-2912

OUR PART NO. . :

CUSTOMER PART NO. :

CUSTOMER	APPROVED	CHECKED

Add:132 Shishu Road, Yuexiu District, Guangzhou City, Guangdong China.

Mobile:+86-18924165988

skype:18924165988

WhatsApp: +86-18924165988

Email: cngzyn@163.com

# 1. Technical Parameter

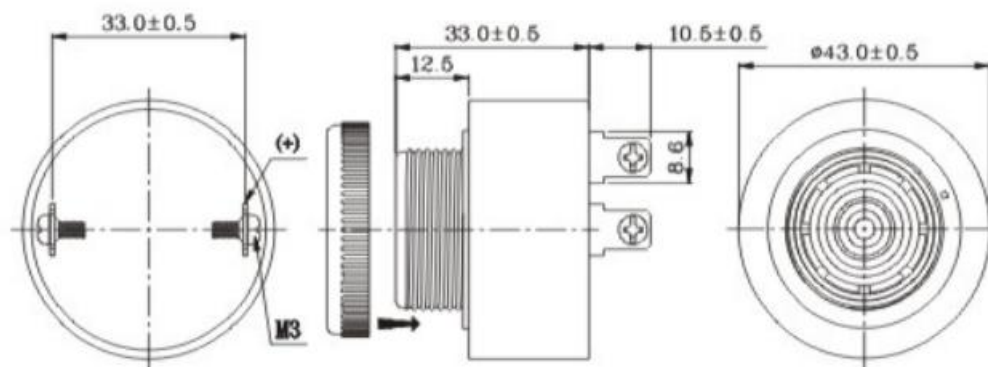
## Measuring condition

Part shall be measured under a condition (Temperature: 5 ~ 35°C, Humidity: 45% ~ 85%R.H., Atmospheric pressure: 860 ~ 1060hPa) unless the standard condition (Temperature: 25±3°C, Humidity: 60±10%R.H. Atmospheric pressure: 860 ~ 1060hPa) is regulated to measure.

1	Rated Voltage	12Vo-p
2	Operating Voltage	6-24Vo-p;
3	Rated Current	Max 20mA
4	Sound Output at 10cm	Min. 90dB
5	Resonant Frequency	2900Hz ± 500
6	Operating Temperature	-10°C ~ +60°C
7	Store Temperature	-20°C ~ +70°C
8	Net Weight	Approx40g
9	Tone Nature	Constant
10	Dimension	Φ43 x H33 mm
11	R o H S	Yes

# 2. Dimensions

Unit: mm



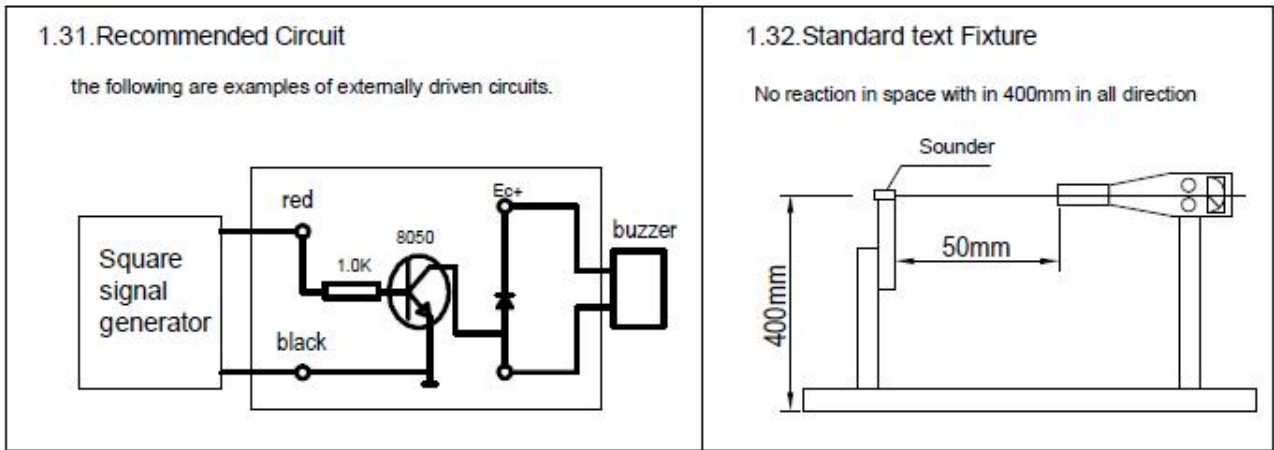
\*Unit: mm; Tolerance: ±0.3mm Except Specified

\*Housing Material: Black LCP

\*Terminal plate: 3 soldering pads, tin Plating Brass

### 3. Electrical And Acoustical Measuring Condition

#### Recommended Driving Circuit



### 4. Frequency Response

