



YN

BUZZER SPECIFICATION

CUSTOMER:

MODEL NO.: YN-YDY-3026A-2412W-150

OUR PART NO.:

CUSTOMER PART NO.:

CUSTOMER	APPROVED	CHECKED

1. Technical Parameter

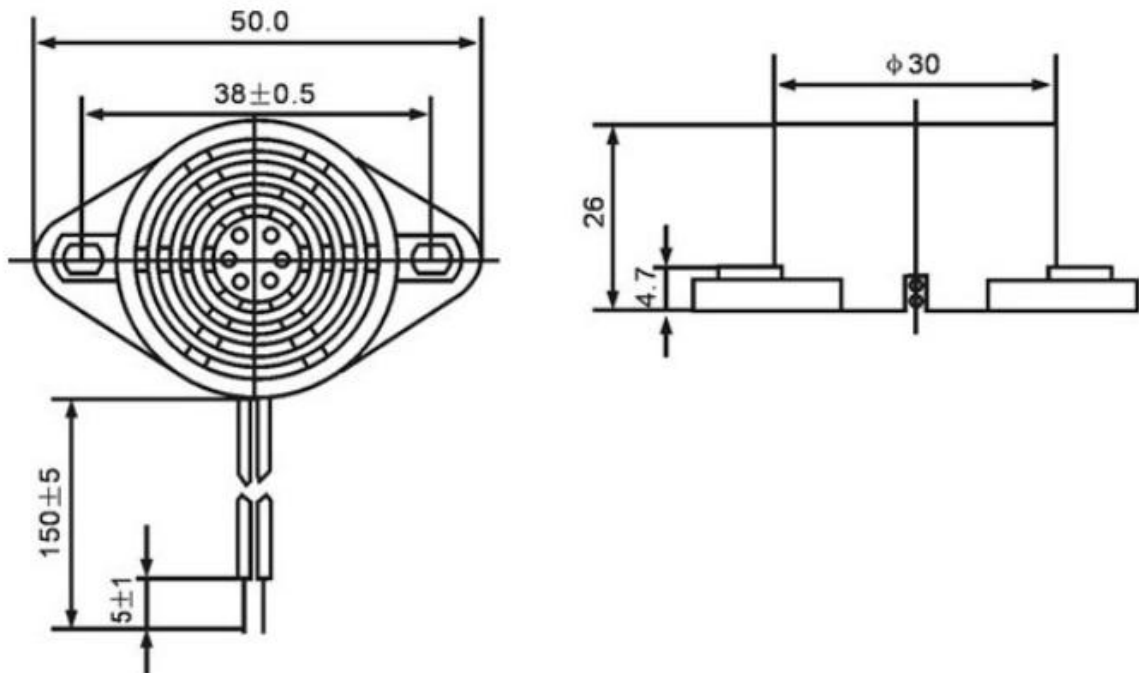
Measuring condition

Part shall be measured under a condition (Temperature: 5 ~ 35°C, Humidity: 45% ~ 85%R.H., Atmospheric pressure: 860 ~ 1060hPa) unless the standard condition (Temperature: 25±3°C, Humidity: 60±10%R.H. Atmospheric pressure: 860 ~ 1060hPa) is regulated to measure.

1	Rated Voltage	12V
2	Operating Voltage	9~15V
3	Rated Current(mA)	≤40
4	Sound Output at 10cm	≥85
5	Housing Material	ABS(White)
6	Resonant Frequency	2400±500Hz (IN)
7	Operating Temperature	-20°C~+70°C
8	Store Temperature	-30°C~+80°C
9	Net Weight	/g
10	Tone Nature	Constant
11	Dimension	Φ30x H26 mm Lead wire
12	Rohs	Yes

2. Dimensions

Unit: mm

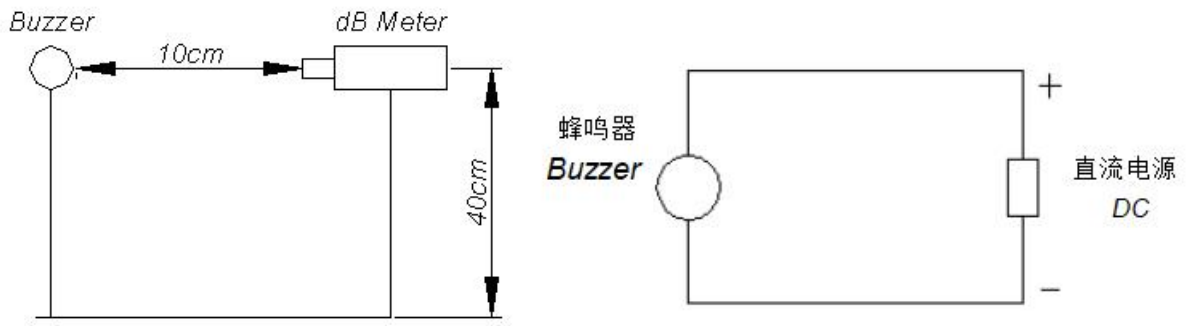


海
防
±±五

- *Unit: mm; Tolerance: ±0.3mm Except Specified
- *Housing Material: Black ABS
- *Terminal plate: 3 soldering pads, tin Plating Brass

3. Electrical And Acoustical Measuring Condition

Recommended Driving Circuit



4. Frequency Response

