



YNKJ

BUZZER SPECIFICATION

*GUANGZHOU YUENENG TECHNOLOGY CO., LTD.*

CUSTOMER:

MODEL NO.: YN-YDW2311-3712P3

OUR PART NO.:

CUSTOMER PART NO.:

CUSTOMER	APPROVED	CHECKED

Add: 132 Shishu Road, Yuexiu District, Guangzhou City, Guangdong China.

Mobile:+86-18924165988

skype:18924165988

WhatsApp: +86-18924165988

Email: cngzyn@163.com

# 1. Technical Parameter

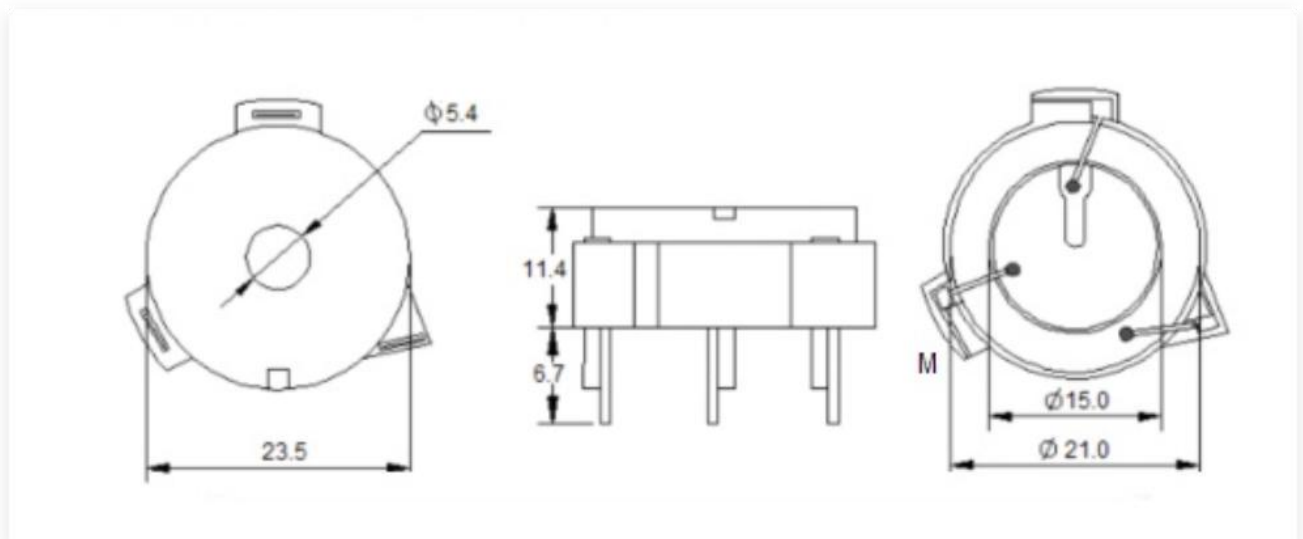
## Measuring condition

Part shall be measured under a condition (Temperature: 5 ~ 35°C, Humidity: 45% ~ 85%R.H., Atmospheric pressure: 860 ~ 1060hPa) unless the standard condition (Temperature: 25±3°C, Humidity: 60±10%R.H. Atmospheric pressure: 860 ~ 1060hPa) is regulated to measure.

1	Rated Voltage	12Vo-p
2	Operating Voltage	6-13Vo-p
3	Rated Current at Rated Voltage	Max.25mA
4	Sound Output at 10cm	Min. 100dB
5	Capacitance at 120Hz	22000±30%PF
6	Resonant Frequency	3700Hz±300
7	Operating Temperature	-10°C ~ +60°C
8	Store Temperature	-20°C ~ +70°C
9	Net Weight	6
10	Tone Nature	Constant
11	Dimension	Φ23.5x H11.4 mm
12	R o H S	Yes

## 2. Dimensions

Unit: mm



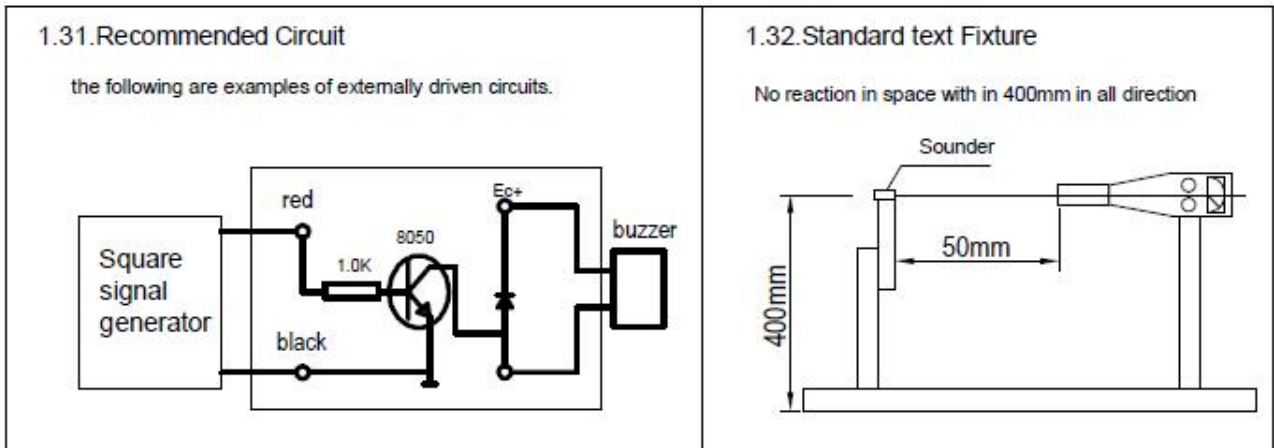
\*Unit: mm; Tolerance: ±0.3mm Except Specified

\*Housing Material: Black

\*Terminal plate: 3 soldering pads, tin Plating Brass

### 3. Electrical And Acoustical Measuring Condition

#### Recommended Driving Circuit



### 4. Frequency Response

