



YNKJ

BUZZER SPECIFICATION

广州粤能科技有限公司

GUANGZHOU YUENENG TECHNOLOGY CO., LTD.

CUSTOMER:

MODEL NO.: YN-JXY2315-0403W100

OUR PART NO.:

CUSTOMER PART NO.:

CUSTOMER	APPROVED	CHECKED

Add: 132 Shishu Road, Yuexiu District, Guangzhou City, Guangdong China.

Mobile:+86-18924165988

WhatsApp: +86-18924165988

skype:18924165988

Email: cngzyn@163.com

1. Technical Parameter

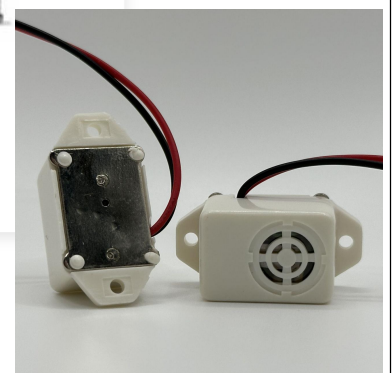
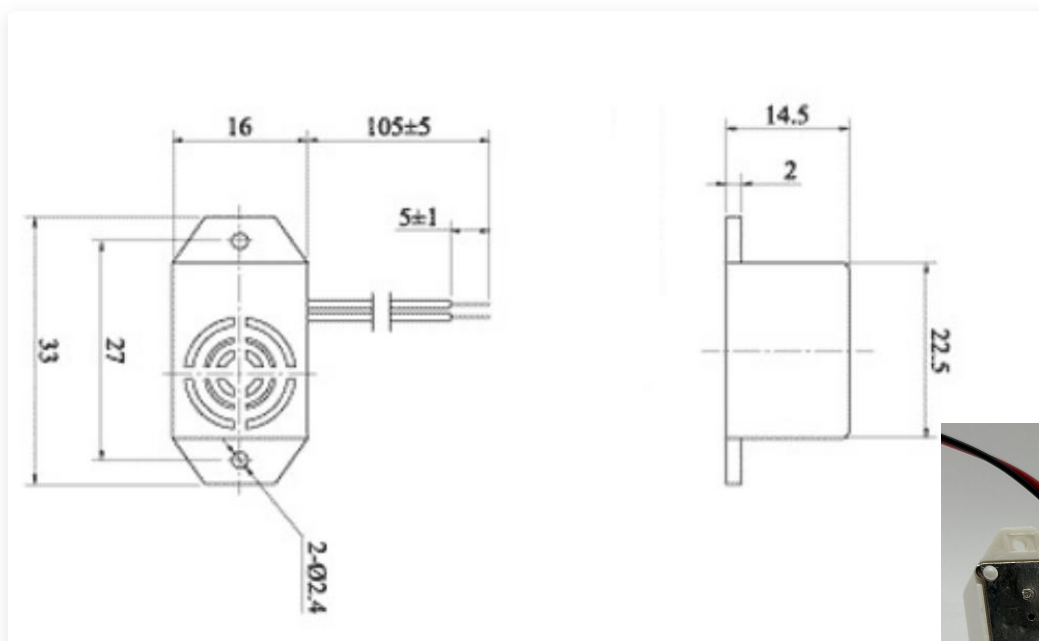
Measuring condition

Part shall be measured under a condition (Temperature: 5 ~ 35°C, Humidity: 45% ~ 85%R.H., Atmospheric pressure: 860 ~ 1060hPa) unless the standard condition (Temperature: 25±3°C, Humidity: 60±10%R.H. Atmospheric pressure: 860 ~ 1060hPa) is regulated to measure.

1	Rated Voltage	3V
2	Operating Voltage	2-5V
3	Rated Current	20mA
4	Resonant Frequency	400Hz±100
5	Min sound output@20cm	70dB
6	Operating Temperature	-20°C~+70°C
7	Store Temperature	-30°C~+80°C
8	Net Weight	Approx 10g
9	Tone Nature	Constant
10	Dimension	22.5*16*14.5MM

2. Dimensions

Unit: mm



- *Unit: mm; Tolerance: ±0.3mm Except Specified
- *Housing Material: white ABS
- *Terminal plate: 3 soldering pads, tin Plating Brass