



YNKJ

BUZZER SPECIFICATION

广州粤能科技有限公司

GUANGZHOU YUENENG TECHNOLOGY CO., LTD.

CUSTOMER:

MODEL NO.: YN-DCY9055-2703W-40

OUR PART NO.:

CUSTOMER PART NO.:

CUSTOMER	APPROVED	CHECKED

Add: ,132 Shishu Road, Yuexiu District, Guangzhou City, Guangdong China.

Mobile:+86-18924165988

WhatsApp: +86-18924165988

skype:18924165988

Email: cngzyn@163.com

# 1. Technical Parameter

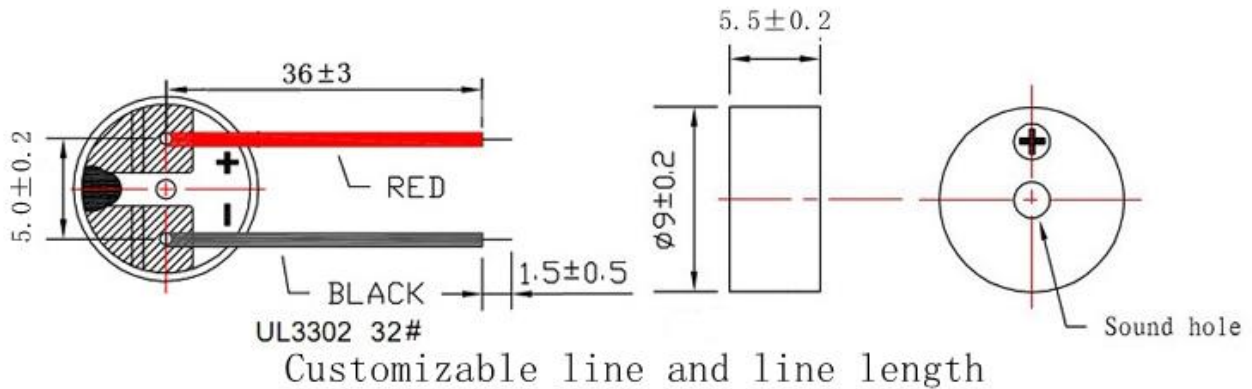
## Measuring condition

Part shall be measured under a condition (Temperature: 5 ~ 35°C, Humidity: 45% ~ 85%R.H., Atmospheric pressure: 860 ~ 1060hPa) unless the standard condition (Temperature: 25±3°C, Humidity: 60±10%R.H. Atmospheric pressure: 860 ~ 1060hPa) is regulated to measure.

1	Rated Voltage	3Vo-p; 5Vo-p; 12Vo-p
2	Operating Voltage	2~4Vo-p; 4~6Vo-p; 9~13Vo-p
3	Rated Current	Max.30mA
4	Sound Output at 10cm	Min. 85dB
5	Resonant Frequency	2.7kHz±0.3
6	Operating Temperature	-20°C~+60°C
7	Store Temperature	-30°C~+70°C
8	Net Weight	Approx 1.5g
9	Tone Nature	Constant
10	Dimension	Φ9*5.5 Hmm

# 2. Dimensions

Unit: mm



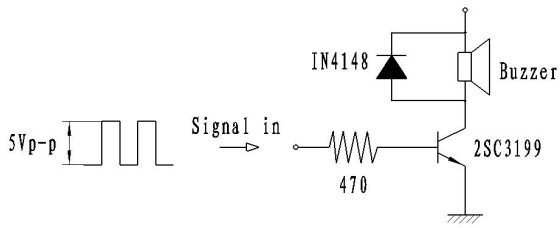
\*Unit: mm; Tolerance:  $\pm 0.3$ mm Except Specified

\*Housing Material: Black LCP

\*Terminal plate: 3 soldering pads, tin Plating Brass

### 3. Electrical And Acoustical Measuring Condition

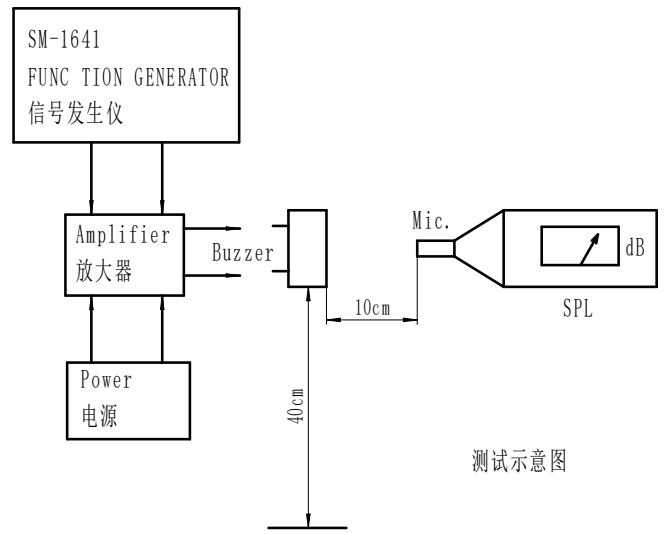
#### Recommended Driving Circuit



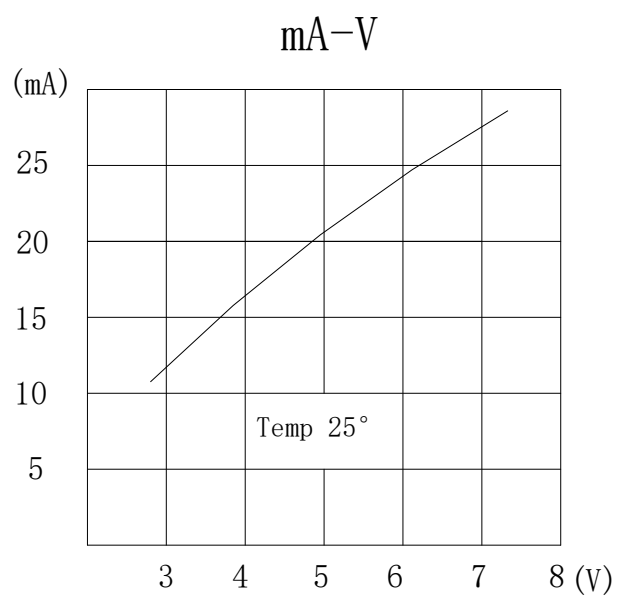
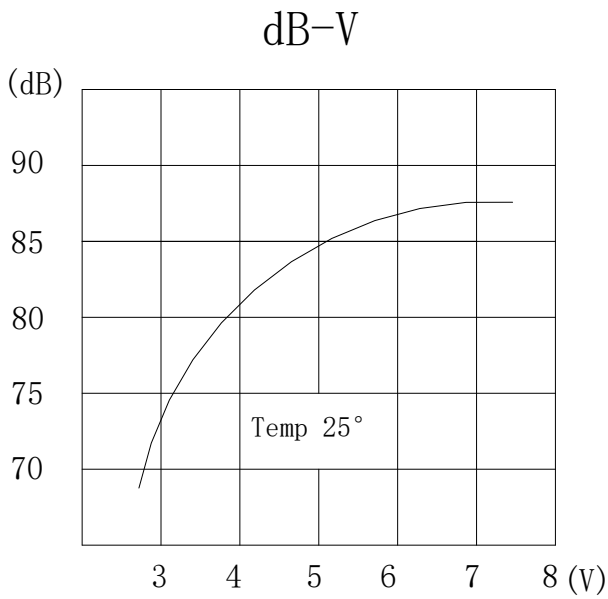
Resonant frequency, 1/2 duty cycle. Square wave.

Signal amplitude should be large enough to saturate the transistor.

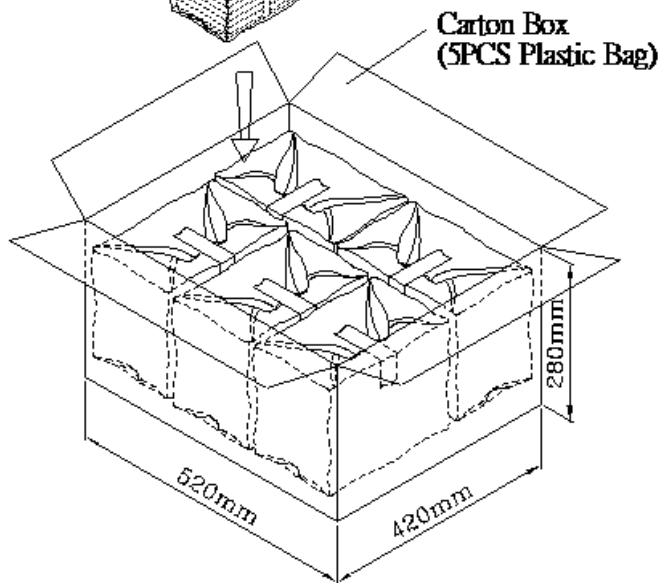
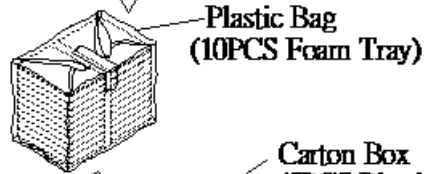
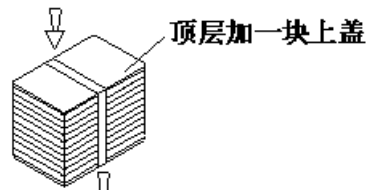
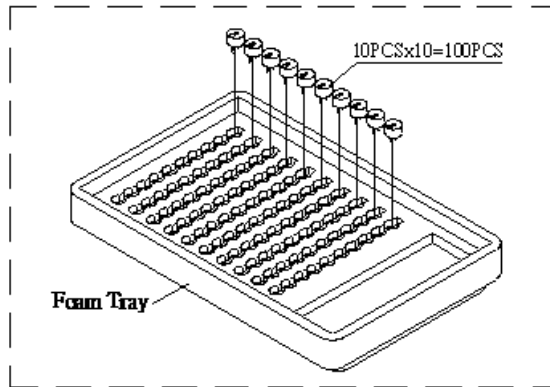
#### Recommended Setting



### 4. Frequency Response



## 5.Packing



Foam Tray	240mmx160mmx30mm	1x100PCS=100PCS
Plastic Bag		10x100PCS=1000PCS
Carton Box	520mmx420mmx280mm	5x1000PCS=5,000PCS

## 5. Reliability Test

After any following tests the part shall meet specifications without any degradation in appearance and performance except SPL. SPL shall not deviate more than -10 dB from the initial value

### 6.1 Ordinary Temperature Life Test

The part shall be subjected to 96 hours at  $25\pm 10^{\circ}\text{C}$ . Input rated voltage

Resonant frequency, 1/2 duty Square wave.

### 6.2 High Temperature Test

The part shall be capable of with standing a storage temperature of  $+85^{\circ}\text{C}$  for 96 hours.

### 6.3 Low Temperature Test

The part shall be capable of with standing a storage temperature of  $-40^{\circ}\text{C}$  for 96 hours.

### 6.4 Humidity Test

Temperature:  $+40^{\circ}\text{C}\pm 3^{\circ}\text{C}$  Relative Humidity: 90%~95% Duration: 48 hours

and expose to room temperature for 6 hours

### 6.5 Temperature Shock Test

Temperature:  $60^{\circ}\text{C}$  /1hour →  $25^{\circ}\text{C}$ /3hours →  $-20^{\circ}\text{C}$ /1hour →  $25^{\circ}\text{C}$ /3hours (1cycle)

Total cycle: 10 cycles

### 6.6 Drop Test

Standard Packaging From 75cm (Drop on hard wood or board of 5cm thick, three sides, six plain.)

### 6.7 Vibration Test

Vibration: 1000cycles /min. Amplitude: 1.5mm, Duration: 1 hour in each 3 axes

### 6.8 Reflow Test

Use recommendable reflow soldering condition (as shown in 5.1)

(1) No abnormality should be found after reflow

(2) Good soldering to meet soldering requirements

#### Note:

As this product is not protected from foreign material entering, please make sure that any foreign materials (e.g. magnetic powder, washing solvent, flux, corrosive gas) do not enter this product in your production processes. The functional degradation (e.g. SPL down) may occur if foreign material enter it.